



Product Information

APPLICATION: **Luggage Zip-Breach Detection**
SECURITY METHOD: **Tamper-Evident Seal**
REMOVABILITY: **Absolute Single-use**
REQUIRED ACCESSORIES: **None**

Your Luggage - Your Responsibility

Have you ever wondered what might happen in a situation where, at the end of an international flight, some incriminating contraband is discovered by Customs in one of your bags?

Usually, the moment you attempt to pass through an airport exit channel, most legal authorities will hold *you* initially responsible for any suspicious items that are discovered lurking in your luggage, *unless* you can prove otherwise. Providing such proof however, may not always be as straightforward as you may think, and most Customs authorities, being obliged to follow the due process of the law, will detain you until the truth can be made clear.

Criminal Operations and Your Luggage

Let's face it, every piece of checked-in luggage at an airport represents a potential opportunity for criminal abuse, as they can provide convenient and accessible vehicles for smuggling operations. Recent events have highlighted the need for better security in this respect, especially when travelling internationally. Further, many incidents concerning the movement of illegal drugs and

other contraband, and involving the personal luggage of unsuspecting travellers, have now captured the attention of the public and the media. In turn, this has had the effect of highlighting certain security deficiencies in the international air transportation system - deficiencies that have the potential to place you in legal hot water!

Detection: Even More Important than Prevention

Air travel has never been easier, or more affordable, and as a consequence, personal protection has never been so important. No matter what we do, we will never be able to secure the luggage that we travel with. **If someone wants to get into our luggage badly enough, they will!** How then, do we alert ourselves to the activities of thieves and drug smugglers? Normally, our insurance policies are able to reimburse us for the items taken *out* of our luggage, but how do we protect ourselves against those items that go *in*? This is difficult, and the situation is actually getting worse as smuggling routes and techniques become more diverse. Consequently, many criminals are turning to personal luggage as the easier option for the movement of contraband across international and domestic borders, as this option conveniently shifts the liability to the passenger. It is now therefore more important to *detect* and *deter* luggage tampering, than to try to *prevent* it.

Tell-Tag addresses this problem elegantly, inexpensively, and efficiently.

The Necessity for Zip Stop Technology

The secret to Tell-Tag's effectiveness, is the way in which it is able to detect luggage tampering with its integrated *zip stop*. Without this feature as part of the security system of your zippered luggage, *any* conventional locking device can be rendered pretty much useless, and in reality may as well be absent. Furthermore, trusting in such a device can give you a totally false sense of security.

Most common coil-type suitcase zips can be easily breached by the insertion of a small screwdriver or similar tool into the zip chain. This will force the zip apart, allowing access to the interior of your suitcase. A zip breached in this manner can be easily re-sealed, making detection almost impossible.

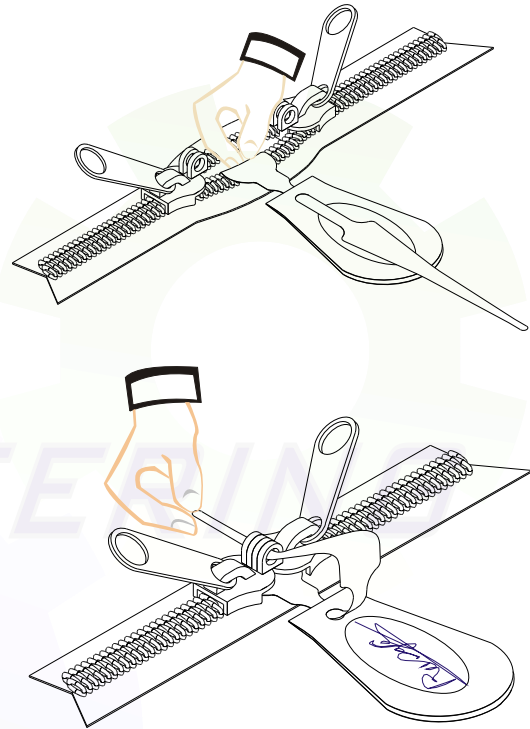
Even though two zip sliders have been locked together with a padlock, or some other conventional "security" device, it is a relatively simple procedure to drive the coupled sliders back over the breached area of the zip to regenerate the chain. In such a situation, one would never suspect that the integrity of the zip had been compromised.

Usually, a criminal using such a *zip breach and reseal* technique can use your luggage for undetected "muling" operations from a safe and remote distance. What's more - the world's biggest padlock won't solve this problem either!

How Does a Zip Stop Work?

The integrated zip stop in the Tell-Tag system immobilizes the zip sliders of your luggage by preventing them from being driven back over the breached area of the zip.

It does this by stopping the zip teeth (elements) from meshing together, effectively acting like a locking brake. It is attached by simply folding and sticking it over one half of the zip chain on your bag, and then closing the sliders together over it, as shown in the drawings below:



More importantly, the zip stop of a Tell-Tag cannot be removed unless the zip stop or the detection seal is broken, thus necessitating the replacement of the Tell-Tag - *minus your signature*. Either way, you will be alerted to the crime.

How Does a Zip Stop Provide Deterrent Value?

Petty thievery and muling operations rely heavily on stealth. Tell-Tag, with its integrated *zip stop* technology prevents undetected intrusions, and a potential criminal, upon discovering a Tell-Tag attached to your luggage, will simply move on to the next bag. As an effective deterrent, Tell-Tag truly gives you peace-of-mind.

3 Functions of Tell-Tag

The patented Tell-Tag system has three functions:

1. The zip stop immobilizes the zip sliders of your bag, and prevents them from being used to re-seal the bag when the closed zip chain has been illegally forced apart to gain entry. You will naturally be alerted when the thief or smuggler finds that he or she is unable to cover up a breach such as this, as the zip will remain open. The zip chain can only be re-sealed if the Tell-Tag is removed.

2. The zip stop also binds the zip sliders of your bag together, in the same way that a padlock, cable-tie, or some other type of “tamper proof” tag might.

3. The single-use detection seal, prevents the undetected removal of the zip stop, alerting you to any attempted breach. The material used in the construction of Tell-Tag’s detection seal cannot be removed intact. Tell-Tag detection seals are made from one of the world’s most advanced tamper-evident materials available today, and have been designed to display an irrefutable “void” signal upon removal (i.e. the surface of the seal will change colour when tampering occurs, at the same time displaying the word “stop” within the adhesive layer).

Claiming Your Luggage

When you claim your luggage at the end of your journey, it is important that you check the integrity of the Tell-Tags that you have fitted to your bags. Check your luggage and Tell-Tags carefully:

- Ensure that it is your signature on the detection seal, and not an attempted forgery.
- Ensure the zip chain on each item of

luggage is still intact, and hasn’t been breached or broken in any way.

- Ensure the detection seal hasn’t been voided (see example below).

- Ensure the detection seal hasn’t been fractured or damaged in any way.



- Ensure that the zip stop hasn’t been broken, and that the zip stop’s tail is still intact.



- Ensure that the zip stop has not been removed, or pulled out from between the two zip sliders.

- Ensure that you inspect any empty, unprotected external zippered pockets of your luggage. They should continue to remain empty.

Alert your airline or Customs Official immediately, if you suspect that the integrity of your luggage has been compromised. Explain that you suspect luggage tampering, and that a reliable detection device fitted to your luggage now indicates a tamper condition. Communicate your concerns clearly and confidently, and inform the Official that you are not happy to proceed through Customs until your luggage has been inspected by them.

Alternatively, if convenient, you may wish to examine the contents of your luggage yourself. Which ever method you decide upon, you should not attempt to pass through Customs (or any other point of entry) without first checking the contents of your luggage. Be

sure to declare any items that have been added to your luggage.

External Zippered Pockets Of Your Luggage

We recommend that you do not use the external zippered pockets of your luggage unless they are double-zipped, and can also be fitted with a Tell-Tag. Otherwise, single-zipped external pockets should not be used. Furthermore, they should be inspected to make sure that they continue to be empty when your luggage is retrieved at your destination (see the "Claiming Your Luggage" section of this brochure).

Peace-Of-Mind

Remember - if you fit a Tell-Tag to your luggage, it is less likely that a criminal will use your bags for contraband smuggling, as a Tell-Tag has a high deterrent value. In such a situation, it is far easier for a criminal to simply choose another bag - a bag not fitted with a Tell-Tag.

Out-Of-Sight Agency Screening

For reasons of safety and security, the Transportation Security Administration (TSA) in the United States, conducts random out-of-sight baggage screening in regard to items of enplaning luggage.

For the purposes of these inspections, the TSA will remove any Tell-Tags (as well as any fitted padlocks) that may be fitted to your luggage. As Tell-Tag is necessarily a single-use product, it cannot be refitted, or reinstated after luggage screening. For uninterrupted protection of your luggage therefore, Origineering's *Zip-Check* (also with *Zip-Stop* technology) should be used in conjunction

with a reinstatable padlock. Information relating to officially recognised reinstatable padlocks can be found on the TSA website. *Zip-Check* will be released by Origineering in 2007, along with a new and innovative reinstatable padlock that is currently under review by the TSA. This padlock too, will be available in 2007.

Main Features Of Tell-Tag:

- Tell-Tag and *Zip-Check* are the only products that will detect zip breach
- Tell-Tag attaches to your luggage quickly and easily
- Tell-Tag has been designed by aviation industry professionals
- Tell-Tag uses state-of-the-art materials
 - Tell-Tag is robust, yet elegant
 - Tell-Tag is very cost-effective
- Tell-Tag means no complex numbers to memorise
- Tell-Tag makes sure your luggage stays recognisable
- Tell-Tag means no waiting in queues to wrap your luggage
- Tell-Tag gives you point-of-pack to point-of-unpack peace-of-mind
- Tell-Tag uses your personal signature for easy-to-recognise identification

-----//-----



Is A Product Of:



Origineering Pty Ltd
PO Box 1658
Midland DC
Western Australia 6936
Tel: +618 9475 0396
Fax: +618 9277 7780
Email: info@tellttag.com
Web: www.tellttag.com